

# EuroSeries

Duct / Immersion Temperature Sensors

## PRODUCT INSTALLATION DATA



## GENERAL

Euro Series Duct / Immersion Temperature Sensor with weatherproof NEMA 4X/IP 66 injection-molded PC/ABS enclosure and stainless steel AISI 316 probe provides a high quality solution for both commercial and industrial applications.

Available measuring elements interface with all major control manufacturers. Accurate thermistors and RTDs ensure low drift and are double encapsulated to guarantee the highest reliability in the field. The installed, high quality, closed cell foam ensures sealing of the probe insert and absorption of vibration. Snap Cover with Quick Connect wire terminals make installation easy and reduces installation costs.

## FEATURES

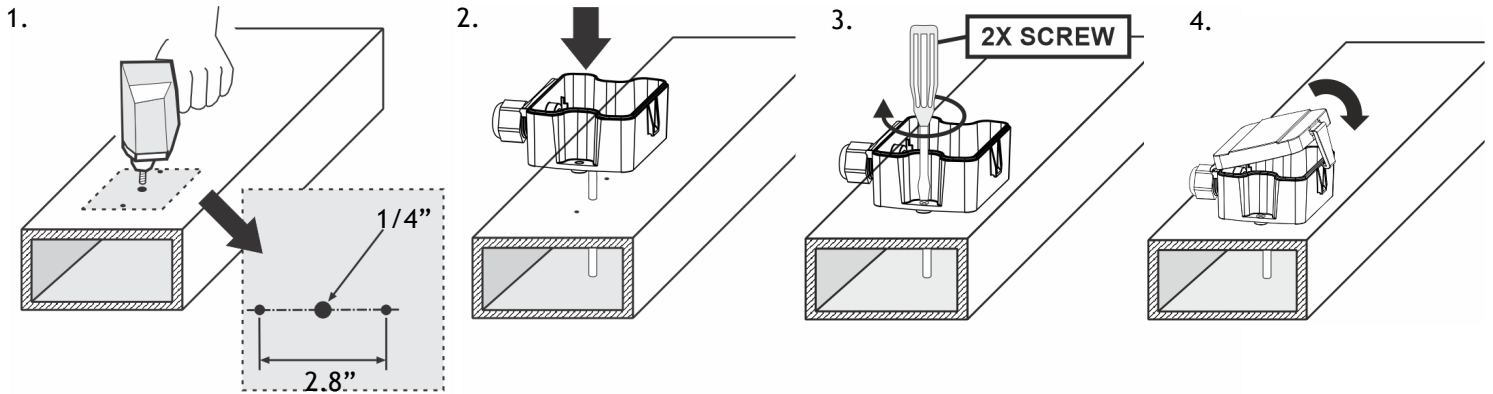
- Durable injection-molded NEMA 4X / IP66 watertight enclosure
- Available in 4" / 6" / 8" / 12" probe lengths
- AISI 316 stainless steel temperature probe
- Included cable gland strain relief
- Quick Connect wire terminals
- Immersion Sensors come with convenient syringe of thermal paste and immersion well or adapter
- NTC thermistors and RTD elements available
- Compatible with most control systems
- CE & RoHS compliant
- 5 year limited warranty

## SPECIFICATIONS

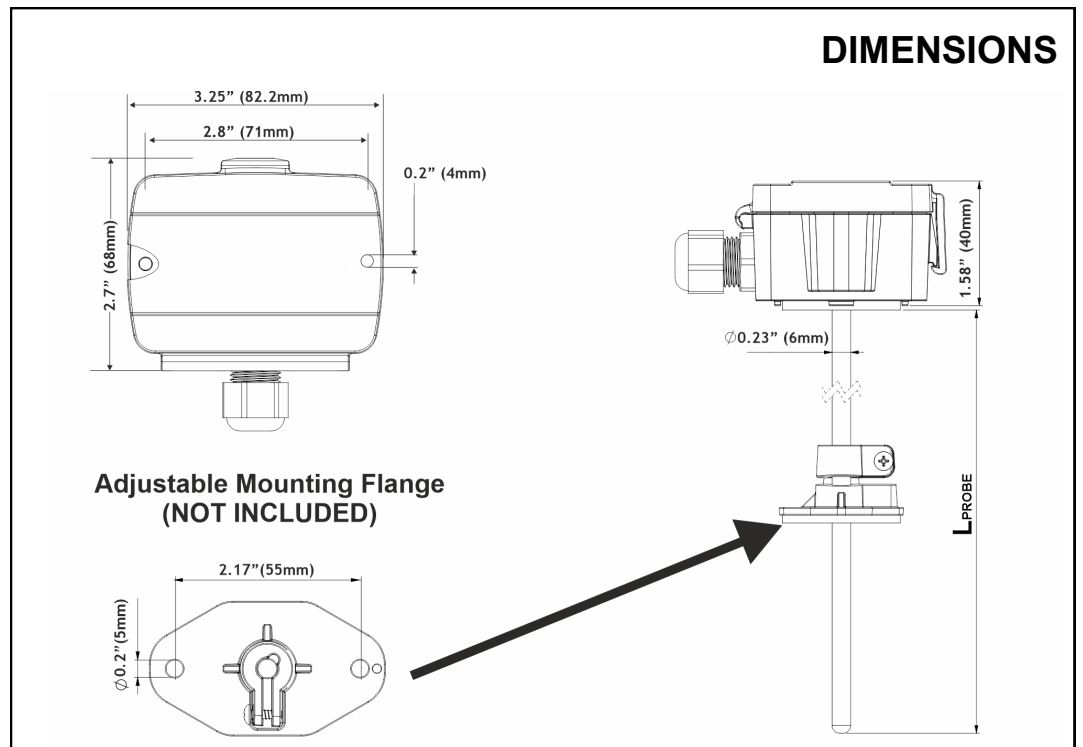
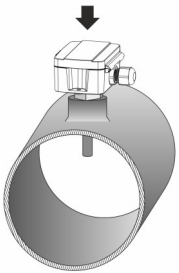
Enclosure:	NEMA 4X/IP 66, injection-molded PC/ABS UL 94 V-2
Cover:	Tool-free quick snap
Mounting:	Direct or available adjustable mounting system
Probe Length:	4" / 6" / 8" / 12"
Probe Metal:	AISI 316 Stainless Steel
Connection:	2 pole AWG 22-16 / 0.35—1.5mm <sup>2</sup> spring-loaded, Quick Connect wire terminals
Sensor Element:	Interchangeable NTC thermistor, 2-wire RTD Pt1000, 2 wire RTD Ni1000-891, 2 wire RTD Ni1000-TC5, 2 wire
Sensor Value:	NTC 10K Ohm type 2 @ 25°C / 77°F NTC 10K Ohm type 3 @ 25°C / 77°F NTC 20K Ohm @ 25°C / 77°F NTC 3K Ohm @ 25°C / 77°F RTD Pt1000 1000 Ohm @ 0°C / 32°F RTD Pt100 100 Ohm @ 0°C / 32°F RTD Ni1000-891 891 Ohm @ 0°C / 32°F RTD Ni1000-TC5 1000 Ohm @ 0°C / 32°F (Other elements on request)
Accuracy:	NTC thermistor 0...70°C ± 0.2°C / 32...158°F ± 0.36°F Pt100 / Pt1000 Class B IEC751, ± 0.3°C / ± 0.5°F @ 0°C / 32°F Ni1000 DIN 43760, ± 0.5°C / ± 0.9°F @ 0°C / 32°F
Range:	-40...105°C / -40...221°F
Immersion Options:	4" SS or Brass/Copper 1/2" NPT well or 1/2" NPT Brass Adapter (others upon request)
Accessories:	Adjustable Depth Mounting Flange M16 to 1/2" NPT Conduit Adapter

## MOUNTING

### Direct Mount



### Immersion Pipe Mount



## WIRING

